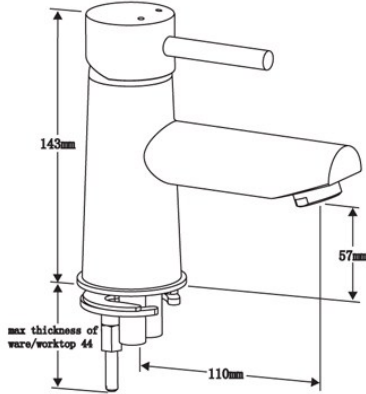




## Ebro SL Mono Basin Mix-Flip Waste

### Monobloc Basin Mixer



Code	Description	Dimensions
4G4122	Mono Basin Mixer	See Image

*Pegler Yorkshire reserve the right to change specifications*

### 10 Year Guarantee

#### Luxury Taps and Mixers

#### Pegler Yorkshire Customcare 10 Year Guarantee - Terms and Conditions

Product are subject to a 10 year guarantee that is between Pegler Yorkshire and the final purchaser of the product.

The guarantee is subject to proof of purchase being supplied.

This guarantee does not affect any statutory rights the consumer may have in law.

The guarantee covers manufacturing or material defects and does not cover parts subject to normal wear and tear.

Finishes other than chrome are covered for a period of 3 years only and the guarantee on the finish is subject to the cleaning instructions being followed.

The guarantee is not applicable where the product is fitted contrary to the conditions in the fitting instructions.

Abusive behaviour and accidental damage to the product are not covered by this guarantee.

The extent of this liability is limited to the cost of the replacement of the defective item and not to fitting or consequential damages.

#### Care

To maintain the surface finish, simply wipe occasionally with a mild detergent on a soft damp cloth. Dry, using a soft cloth. Never use abrasive cleaners or chemical household cleaners and avoid contact with concentrated bleach.

#### Maintenance

No regular maintenance is required for this product.

In case of complete replacement Pegler recommend service valves should be fitted to the supply inlets.

For any further help or replacement parts please contact the Service Support Team on 0800 1560050.

### Monobloc Basin Mixer

1						
Spare Key	Description	Code	Barcode	Date From	Date To	Price (£) ex VAT
1	HD124 Handle	854567	5022050328595	01/01/1900	To Current	£38.19
2						
Spare Key	Description	Code	Barcode	Date From	Date To	Price (£) ex VAT
2	HKS26 Headwork Shroud	854489	5022050224361	01/01/1900	To Current	£13.34
3						
Spare Key	Description	Code	Barcode	Date From	Date To	Price (£) ex VAT
3	H5 Head	854490	5022050224460	01/01/1900	To Current	£2.88
4						

Spare Key	Description	Code	Barcode	Date From	Date To	Price (£) ex VAT
4	HK98 Headwork Cartridge	854491	5022050224545	01/01/1900	To Current	£42.51
5						
Spare Key	Description	Code	Barcode	Date From	Date To	Price (£) ex VAT
5	FL37CP Flange	854568	5022050328694	01/01/1900	To Current	£12.57
6						
Spare Key	Description	Code	Barcode	Date From	Date To	Price (£) ex VAT
6	FP55 FIXING PACK	854407	5013866080050	01/01/1900	To Current	£11.87
7						
Spare Key	Description	Code	Barcode	Date From	Date To	Price (£) ex VAT
7	IT16 INLET TAILS PAIR	854408	5013866080067	01/01/1900	To Current	£22.56
8						
Spare Key	Description	Code	Barcode	Date From	Date To	Price (£) ex VAT
8	FS10CP FLOW STRAIGHTNER ASSEMBLY CHROME	812400	5013866056161	01/01/1900	To Current	£8.34
9						
Spare Key	Description	Code	Barcode	Date From	Date To	Price (£) ex VAT
9	FLW1 Flip waste	854549	5022050247056	01/01/1900	To Current	£21.82

Pegler Yorkshire Group Ltd, St Catherine's Ave, Doncaster, S Yorkshire, DN4 8DF  
Telephone: Phone +44 (0) 844 243 4400 Fax: +44 (0) 844 243 9870 Website: www.pegler-yorkshire.co.uk  
Registered office : Pegler Yorkshire Group Ltd, St Catherine's Ave, Doncaster, S Yorkshire, DN4 8DF Company no : 00401507

# WRAS<sup>®</sup>

Water Regulations Advisory Scheme

*This certifies that*

**PEGLER YORKSHIRE GROUP LTD.**

---

*has had the undermentioned product examined, tested and found, when correctly installed, to comply with the requirements of the United Kingdom Water Supply (Water Fittings) Regulations/Scottish Water Byelaws.*

**EBRO SINGLE LEVER,  
PULSAR SINGLE LEVER &  
PULSAR SINGLE LEVER TALL  
COMBINATION TAP ASSEMBLIES**

*Reference should be made to the accompanying acceptance letter for installation requirements*

---

*The product so mentioned will be listed in the  
Water Fittings and Materials Directory  
for a period until:*

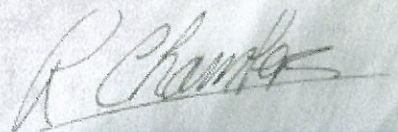
**01 SEPTEMBER 2014**

---

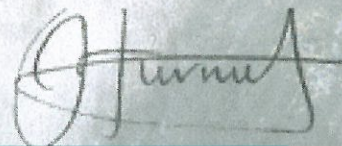
**0909301**

---

*Certificate No.*



*Chairman, Test and Assessment Group*



*Secretary*

**WRAS**  
**APPROVED  
PRODUCT**